

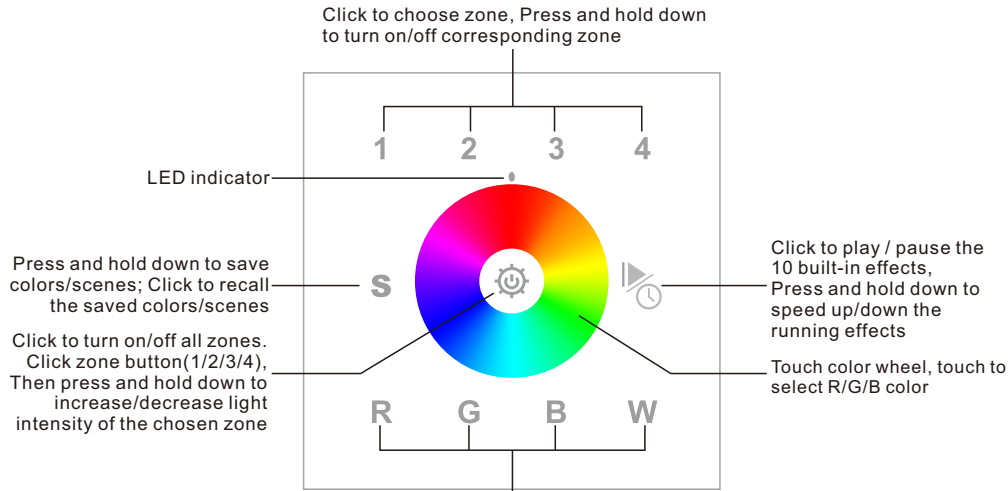
# DALI RGBW Touch Controller

09.230TC6.04066

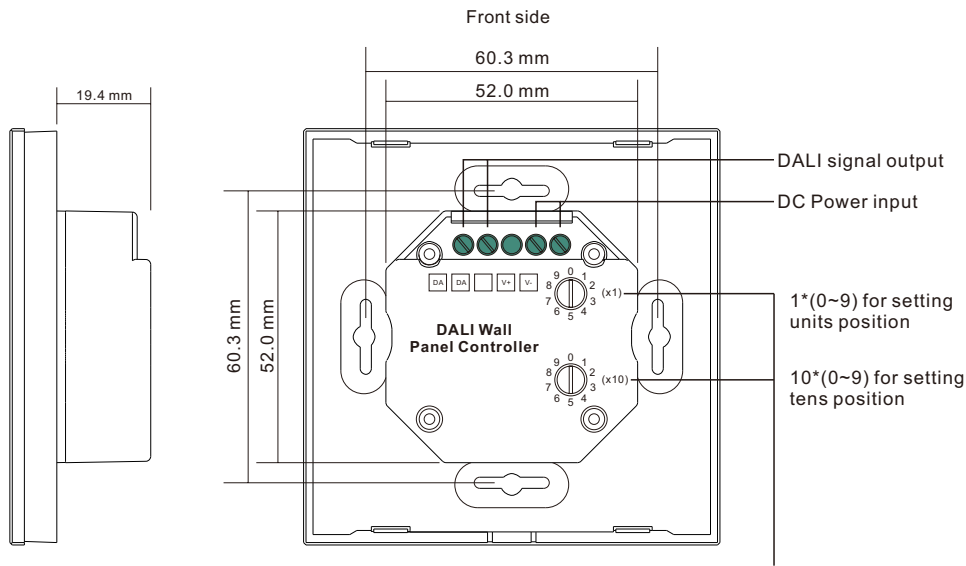


**Important:** Read All Instructions Prior to Installation

## Function introduction



**R/G/B/W 4channels:** Click to turn off/on the channel  
Press and hold down to increase/decrease light intensity of each channel



Rotary switches for setting start DALI address number (0-63), the number equals to tens position plus units position

Back side

## Product Data

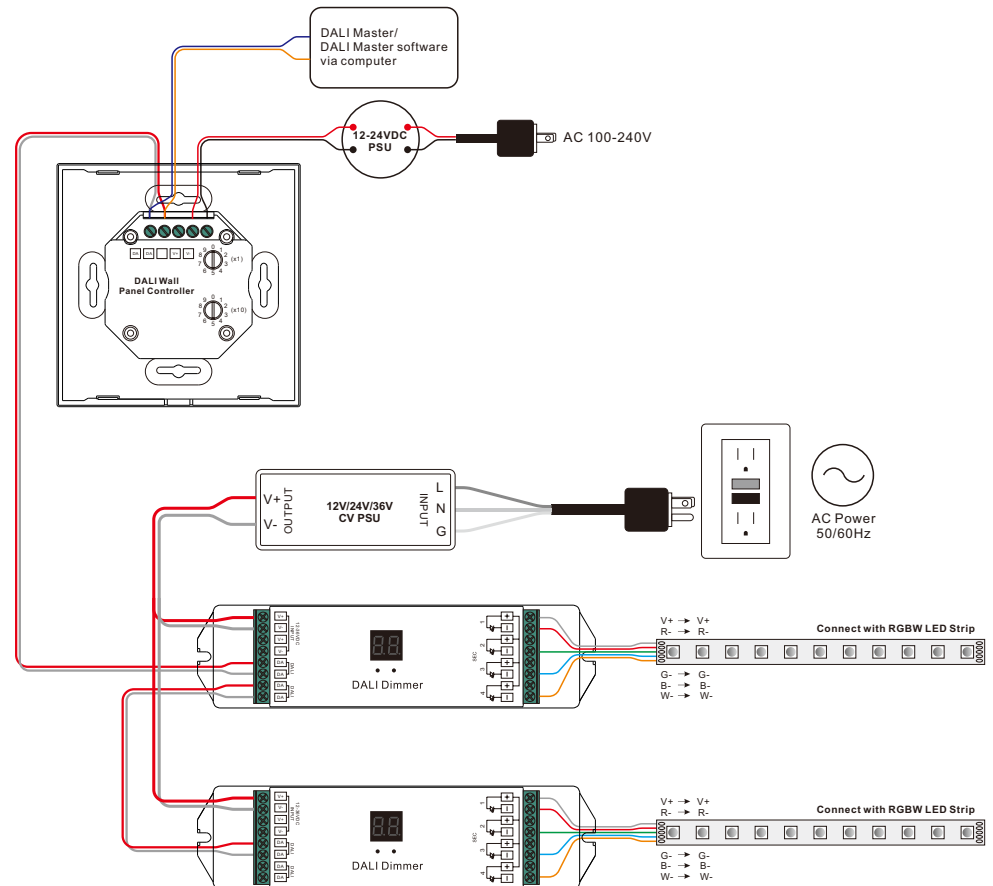
Output	DALI signal
Power Supply	12-24VDC
Operation Current	< 20 mA
DALI consumption	4 mA
Operating temperature	0-40°C
Relative humidity	8% to 80%
Dimensions	86x86x29.1mm
Waterproof grade	Ip20

- Touch sensitive.
- Glass interface(white & black).
- Comply to DALI standard protocol IEC 62386-102, IEC 62386-207 and in compliance with DALI products from other international incorporation.
- 4 light zones are available for switch, dimming and RGB color control, each zone can control 4 DALI addresses.
- Enable to set start DALI address number (0-63) for the 4 zones by rotary switches on the back.
- Built-in 10 Color Sequences

## Safety & Warnings

- DO NOT install with power applied to device.
- DO NOT expose the device to moisture.

## Wiring diagram



## Operation

### 1. Set start DALI address number for the zones by rotary switches on the back:

Set the number as X (0-63):

Zone number 1 will control DALI addresses X, X+1, X+2 and X+3,

Zone number 2 will control DALI addresses X+4, X+5, X+6 and X+7,

Zone number 3 will control DALI addresses X+8, X+9, X+10 and X+11,

Zone number 4 will control DALI addresses X+12, X+13, X+14 and X+15,

Note: if X is set as 63, zone 1 will control DALI address 63, 00, 01 and 02, zone 2 will control address 03, 04, 05 and 06, zone 3 will control address 07, 08, 09 and 10, zone 4 will control address 11, 12, 13 and 14.

### 2. Save and recall scenes

#### Save scenes:

Turn on the DALI panel → Click 1/2/3/4 to select a zone (here the numbers 1/2/3/4 mean zone numbers) → Operate the panel to select a color, a brightness or play a running mode → Press and hold down button S until the LED indicator changes color → Immediately click 1/2/3/4 (here the same numbers 1/2/3/4 mean you can save 4 scenes for the above selected zone) that you would like to save the scene to → The LED indicator on the panel will flash → The scene is saved successfully

#### Recall the saved scenes:

Turn on DALI panel → Click 1/2/3/4 to select a zone to recall the saved scenes (here the numbers 1/2/3/4 mean group numbers) → Click button S → Click 1/2/3/4 (here the same numbers 1/2/3/4 mean scene numbers of the 4 saved scenes for the above selected zone) again to select a saved scene and recall it

## Installation

